

3DLinkPro™



Wireless GSM Communications with your APM 3DLevelScanner

From anywhere in the world

- Remote access to APM 3DLevelScanner data
- One-click software upgrade
- More control, better decisions

The **APM 3DLinkPro** provides state-of-the-art GSM wireless communications with all APM products. It significantly enhances customer service by providing the following key benefits:

- Easy software upgrades
- Remote analysis of data
- Remote diagnosis of system performance
- Remote system configuration

The possibility of such remote access is especially advantageous in situations where traditional wiring would require considerably more work and expense – where units are installed far from home base and/or over a broad terrain.



GSM

Reliability

High reliability is decisive for the success of wireless signal transmission. The APM 3DLinkPro meets industry standards for such applications. It reduces maintenance and shutdown periods. If and when questions or problems arise with one of the units, the supplier can very quickly diagnose the trouble from a remote location and solve it on the spot. The APM 3DLinkPro thus adapts wireless GSM measurement technology optimally to industrial applications making it simple, safe and reliable.

Advantages of the APM 3DLinkPro supported instrumentation at a glance

- Reduced installation costs
- Simple installation and setup
- Simple diagnosis
- Efficient maintenance
- Easy system upgrade
- Good accessibility
- Efficient trouble-shooting and customer support



T O Y O U R V I S I O N



Communications Meets



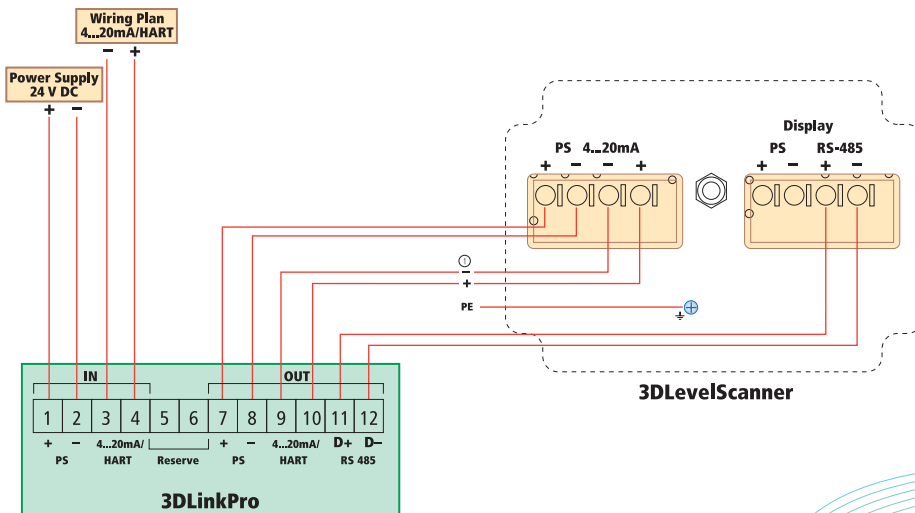
State-of-the-art technology

Configuration / set-up and reconfiguration via GSM. A complete upgrade can be provided, therefore insuring supplier's on-going ability to give immediate and comprehensive service.

Remote diagnosis and configuration of the APM 3DLevelScanner through the APM 3DLinkPro can be carried out from a PC anywhere in the world.

3DLevel Measurement

Wiring Plan



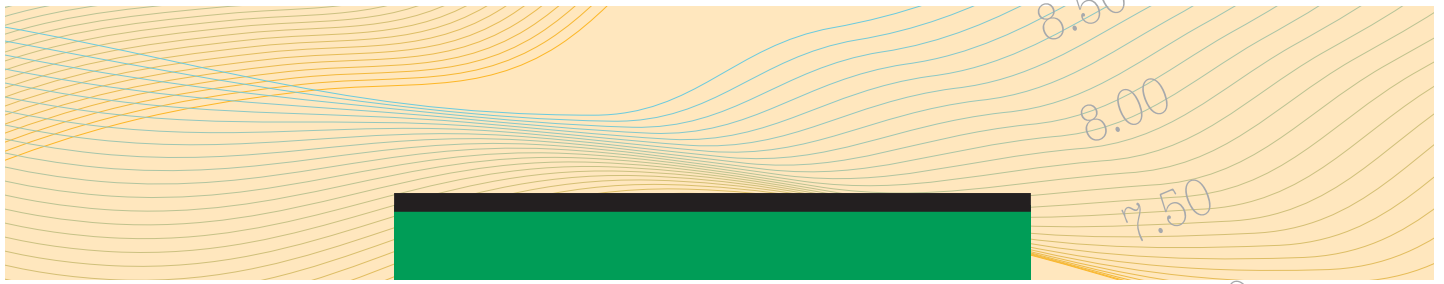
Basic Characteristics

Voltage Supply: 10-30V DC

Signal Input: 4...20mA/HART/RS-485

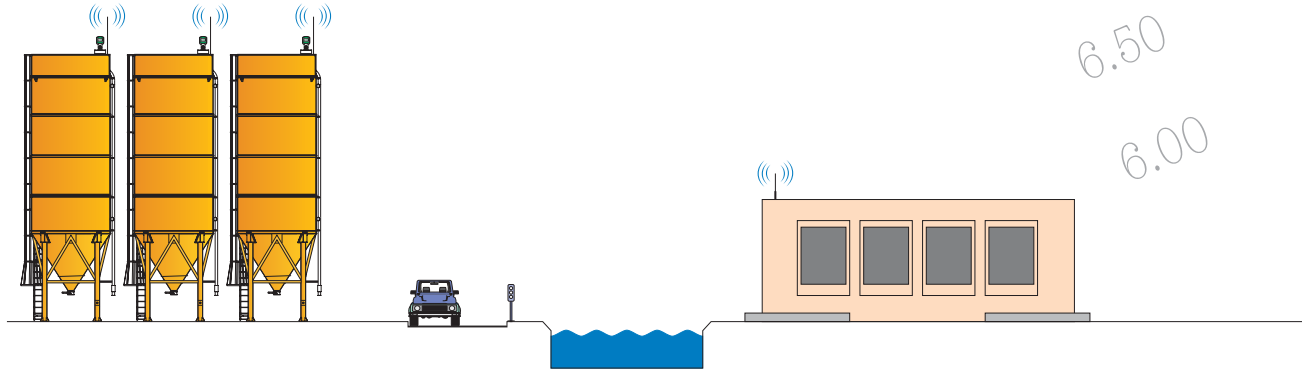
Signal Output: Standard GSM

Indication and Adjustment via APM 3DLevel Manager Software



OVERCOMING OBSTACLES

Application example



One solution for many situations

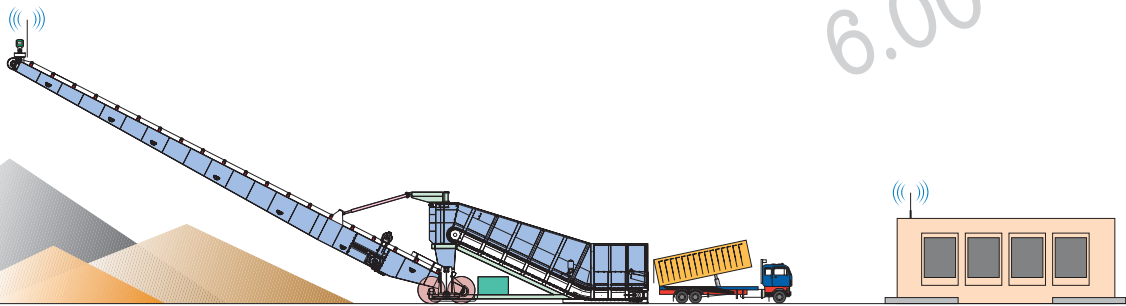
APM 3DLinkPro signal data overcomes obstacles frequently encountered with land-based communications:

- Streets and railroad lines
- Rivers and canals
- Hillocks and valleys
- Buildings and plant structures

Laying cables and digging ditches and tunnels in difficult terrain can be very costly compared to using APM 3DLinkPro even as a permanent solution.

MOBILE PLANT EQUIPMENT

Application example



In raw materials mining, production locations change constantly and the environmental conditions are often very harsh. For mobile conveyor belts and roaming construction sites, a robust, mobile solution for signal transmission offers compelling advantages. Since supply voltage is often available on-site, GSM wireless signal transmission with the APM 3DLinkPro is a practicable solution that is easy to implement.

TEMPORARY INSTALLATIONS FOR TIME-LIMITED APPLICATIONS

Application example

Temporary installations of measurement technology or frequently changing equipment configurations require a flexible infrastructure. APM 3DLinkPro accommodates this need with its short installation time and fast setup. Even frequent setups and knockdowns, as are common in pilot plants in the chemical industry, can be easily handled with this technology. It allows the plant to be quickly and economically converted for new production tests.



APM Automation Solutions Ltd

24 Habarzel Street
Tel Aviv 69710, Israel
Tel: +972 3 6488891
Fax : +972 3 6488892
info@apm-solutions.com
www.apm-solutions.com